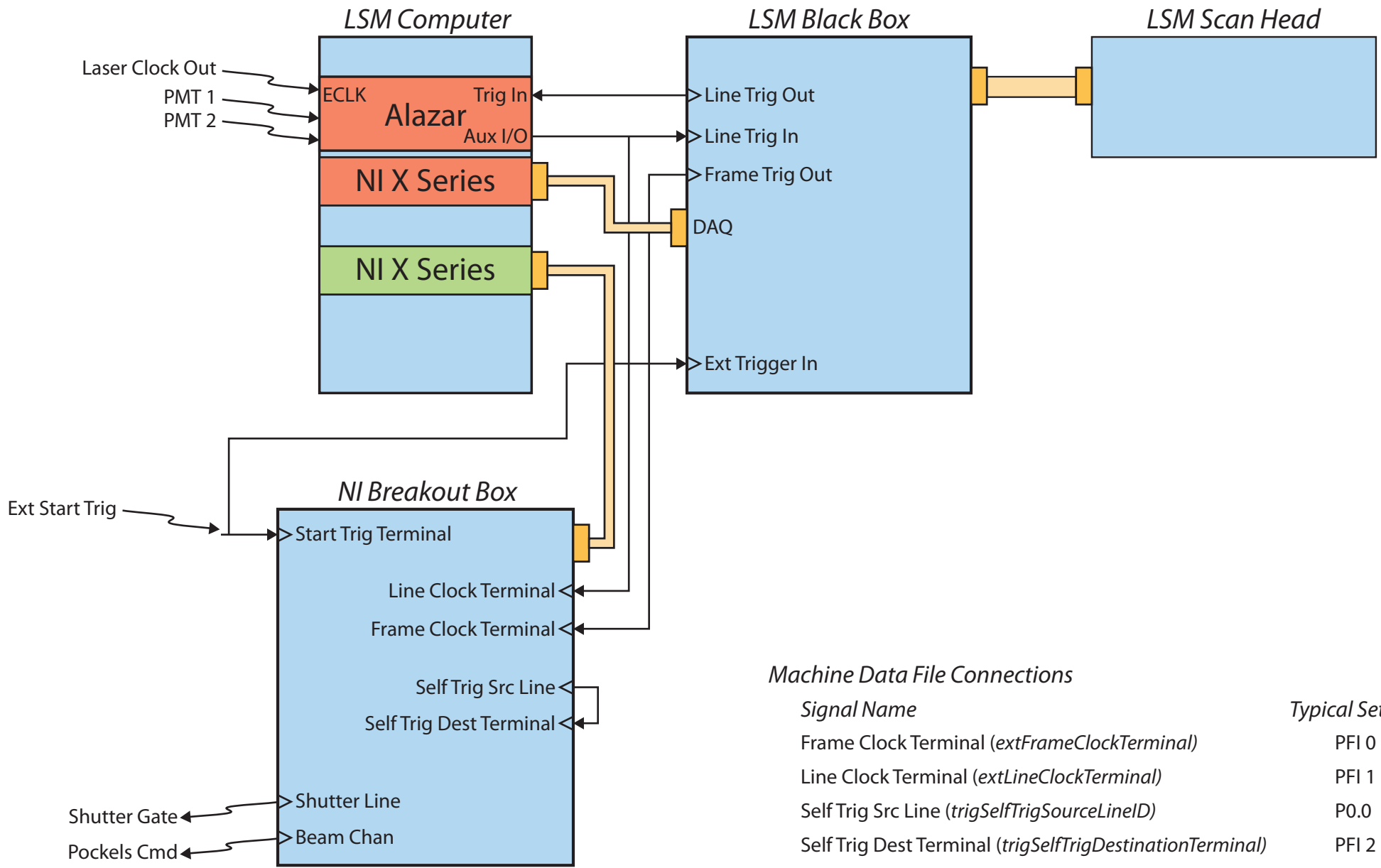


Thorlabs LSM
 ScanImage 4



Machine Data File Connections

<i>Signal Name</i>	<i>Typical Setting</i>
Frame Clock Terminal (<i>extFrameClockTerminal</i>)	PFI 0
Line Clock Terminal (<i>extLineClockTerminal</i>)	PFI 1
Self Trig Src Line (<i>trigSelfTrigSourceLineID</i>)	P0.0
Self Trig Dest Terminal (<i>trigSelfTrigDestinationTerminal</i>)	PFI 2
Shutter Lines (<i>shutterLineIDs</i>)	P0.1..P0.n
Beam Chans (<i>beamChanIDs</i>)	AO 0.. AO n

Other Connections

<i>Signal Name</i>	<i>Typical Setting</i>
Ext Start/Next Trig Terminal(s)	PFI 3..n